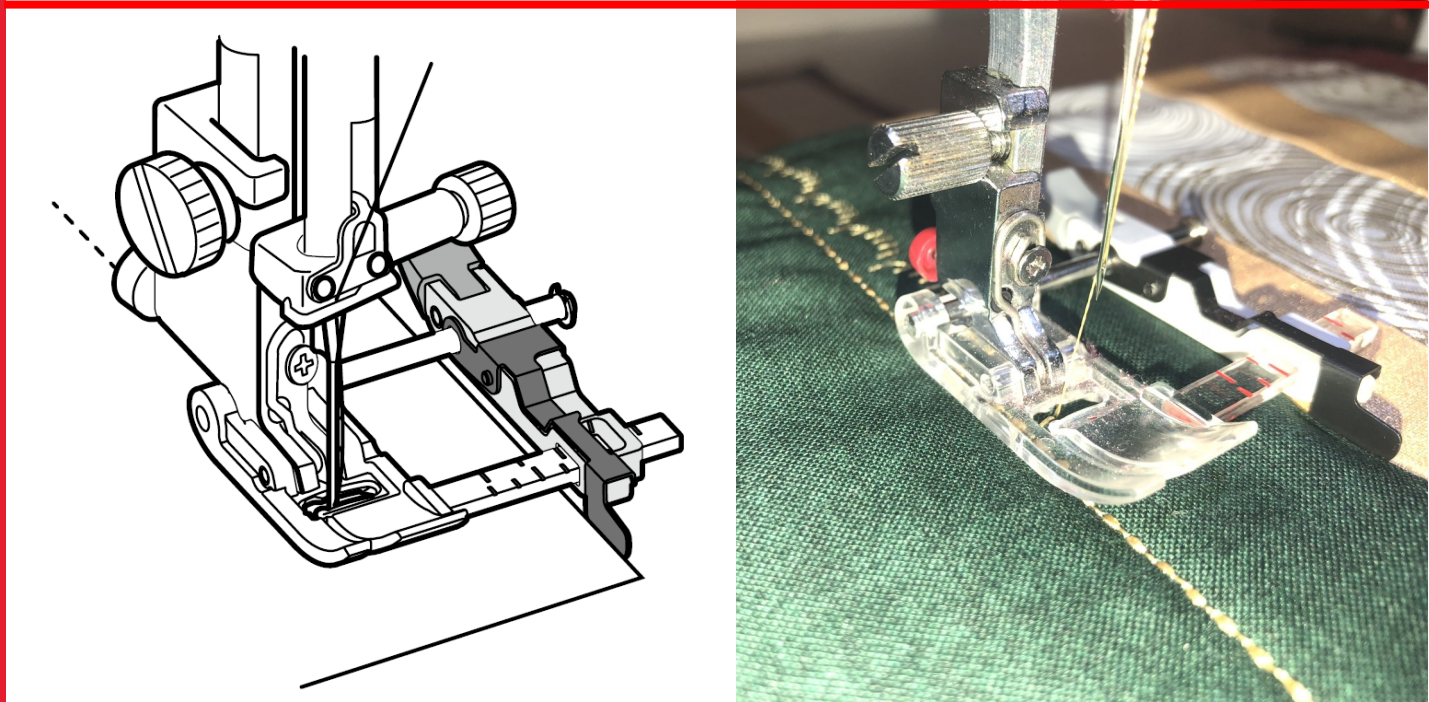


JANOME

Accessory of the Month

December 2018



Sliding Guide Foot

Edge stitching could not get any easier with the Sliding Guide Foot! You can adjust the flange to sit from 3/8" up to 1 1/4" away from the edge of the foot in seconds and create perfectly straight hems every time. The Janome Sliding Guide Foot manually adjusts to perfectly align with the exact distance you want. The guide can be moved freely and easily by just lifting the lever in the back of the foot. The clear markings make certain you know exactly where you want your foot to go while lining the guide up on a edge or seam.

This Accessory of the Month has a bonus project for you to make using the Sliding Guide Foot. Press the link to download the project .

[FESTIVE TABLE RUNNER](#)

| Part Number | Compatible Machines |
|-------------|---------------------|
| 202 293 004 | 9mm machine models |
| 202 218 005 | 7mm machine models |